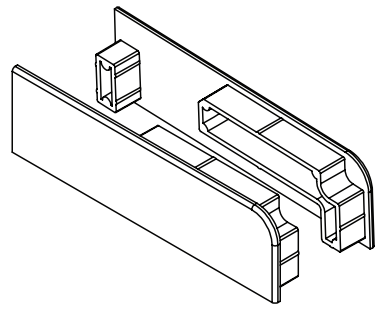
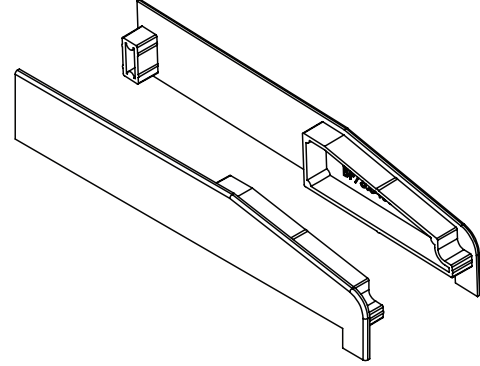


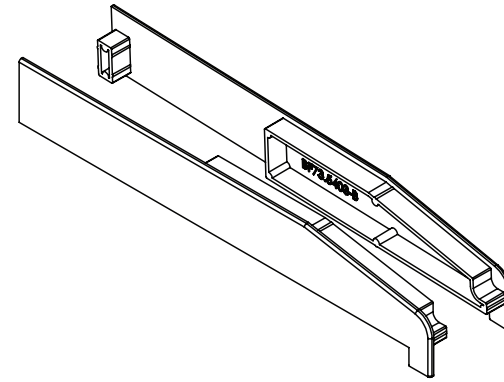
Pair of 90mm Cill Endcaps
BF73.5402



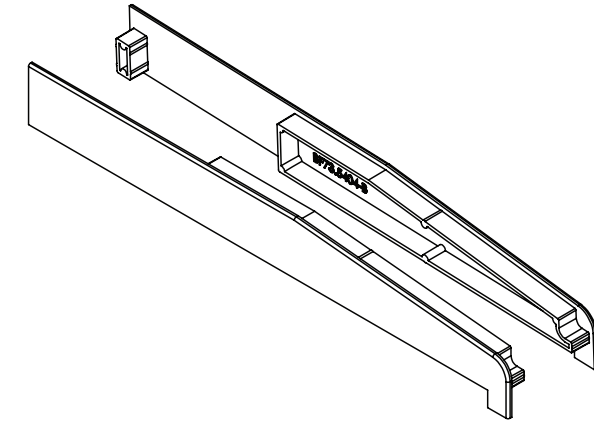
Pair of 150mm Cill Endcaps
BF73.5405



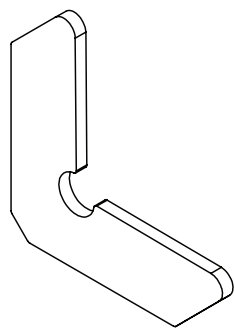
Pair of 190mm Cill Endcaps
BF73.5403



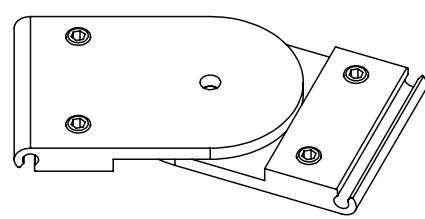
Pair of 230mm Cill Endcaps
BF73.5404



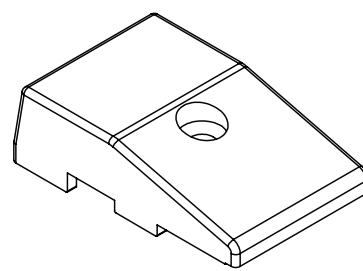
Chevron
ACW81.894



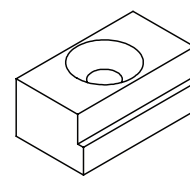
Adjustable Angle Corner Connector
DBA1-108
for sub cills
BF73.0402, BF73.0403,
BF73.0404, BF73.0405



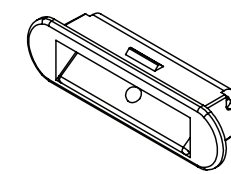
Run Up Block
ACW81.891



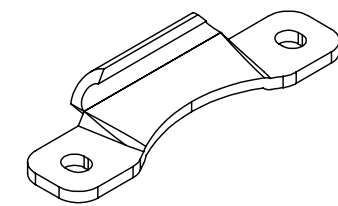
Frame Connector
ACW81.897



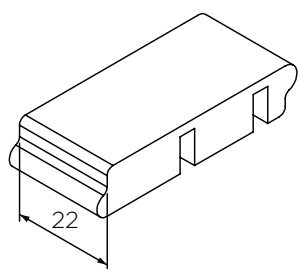
Drainage Cap
ACW81.893WH
ACW81.893BL



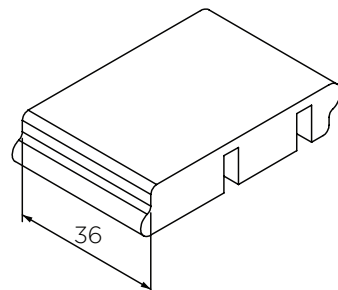
Excluder
ACW81.ASD-ST1



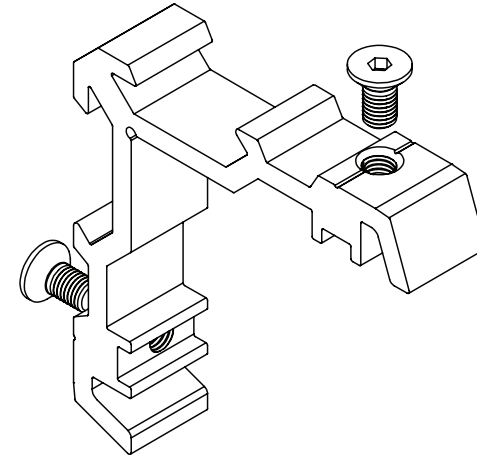
Foam Support
ACW81.895



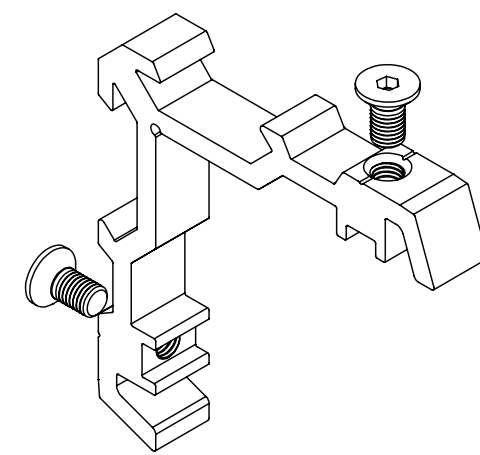
Foam Support
ACW81.896



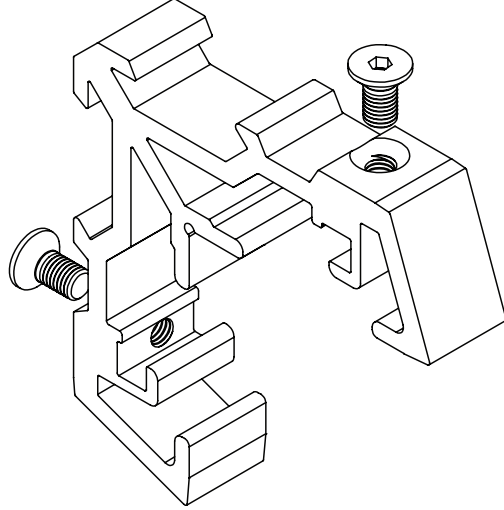
Outer Frame/ Adaptor Cleat & Screws
ACW81.881
for ACW81.111 & ACW81.331



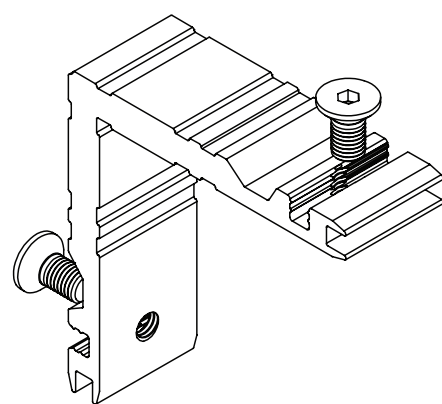
Sash/ Adaptor Cleat & Screws
ACW81.882
for ACW81.221 & ACW81.331



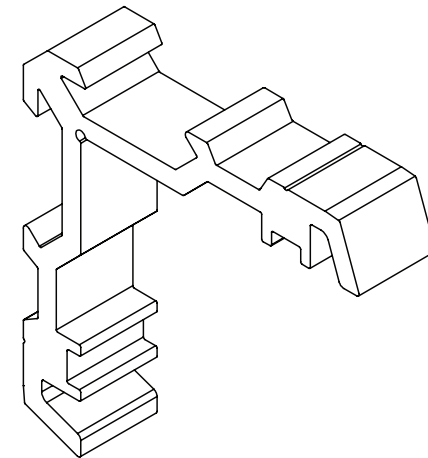
Frame Cleat & Screws
ACW81.883
for ACW81.112



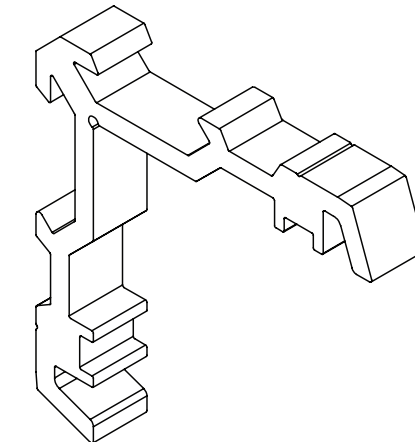
Sash Cleat & Screws
ACW81.886
for ACW81.221



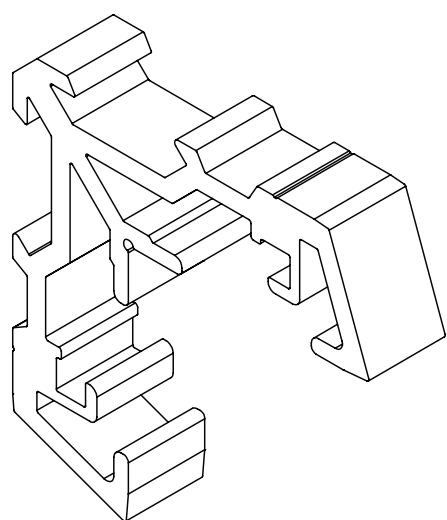
Outer Frame/ Adaptor Crimp Cleat
ACW81.881 CRI
for ACW81.111 & ACW81.331



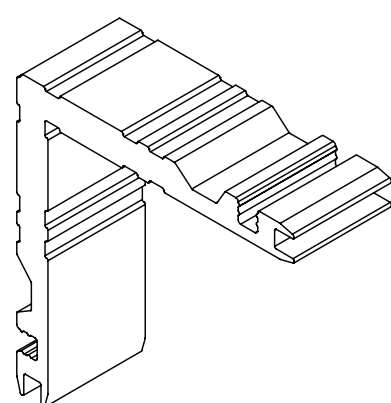
Sash/ Adaptor Crimp Cleat
ACW81.882 CRI
for ACW81.221 & ACW81.331



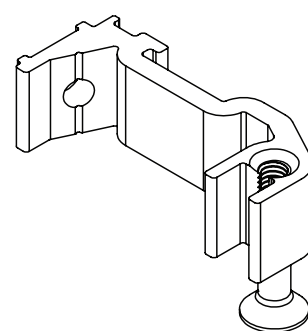
Outer Frame Crimp Cleat
ACW81.883CRI
for ACW81.112



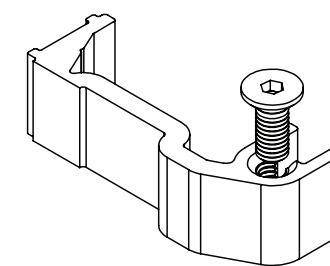
Sash Crimp Cleat
ACW81.886CRI
for ACW81.221



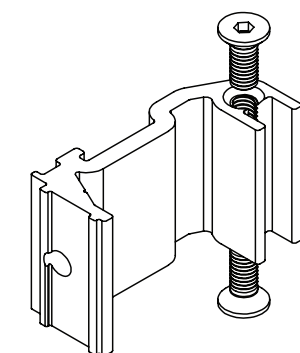
T-Cleat - Frame/ Transom & Screw
ACW81.884
for ACW81.111, ACW81.221,
ACW81.443



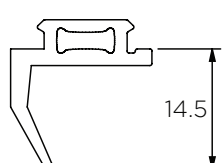
T-Cleat - Frame/ Transom & Screw
ACW81.887
for ACW81.221 & ACW81.443



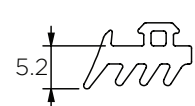
T-Cleat - Frame/ Transom & Screws
ACW81.885
for ACW81.112/ ACW81.442



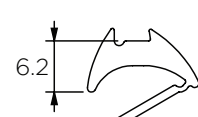
Optional Intermediate Seal
DBA1-131R



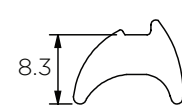
Captive Glazing Seal
DBA1-135



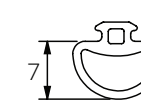
Wedge Glazing Seal
DBA1-136



Wedge Glazing Seal
DBA1-139



Frame/ Sash Seal
ACW584



EPDM Chord
ACW585

