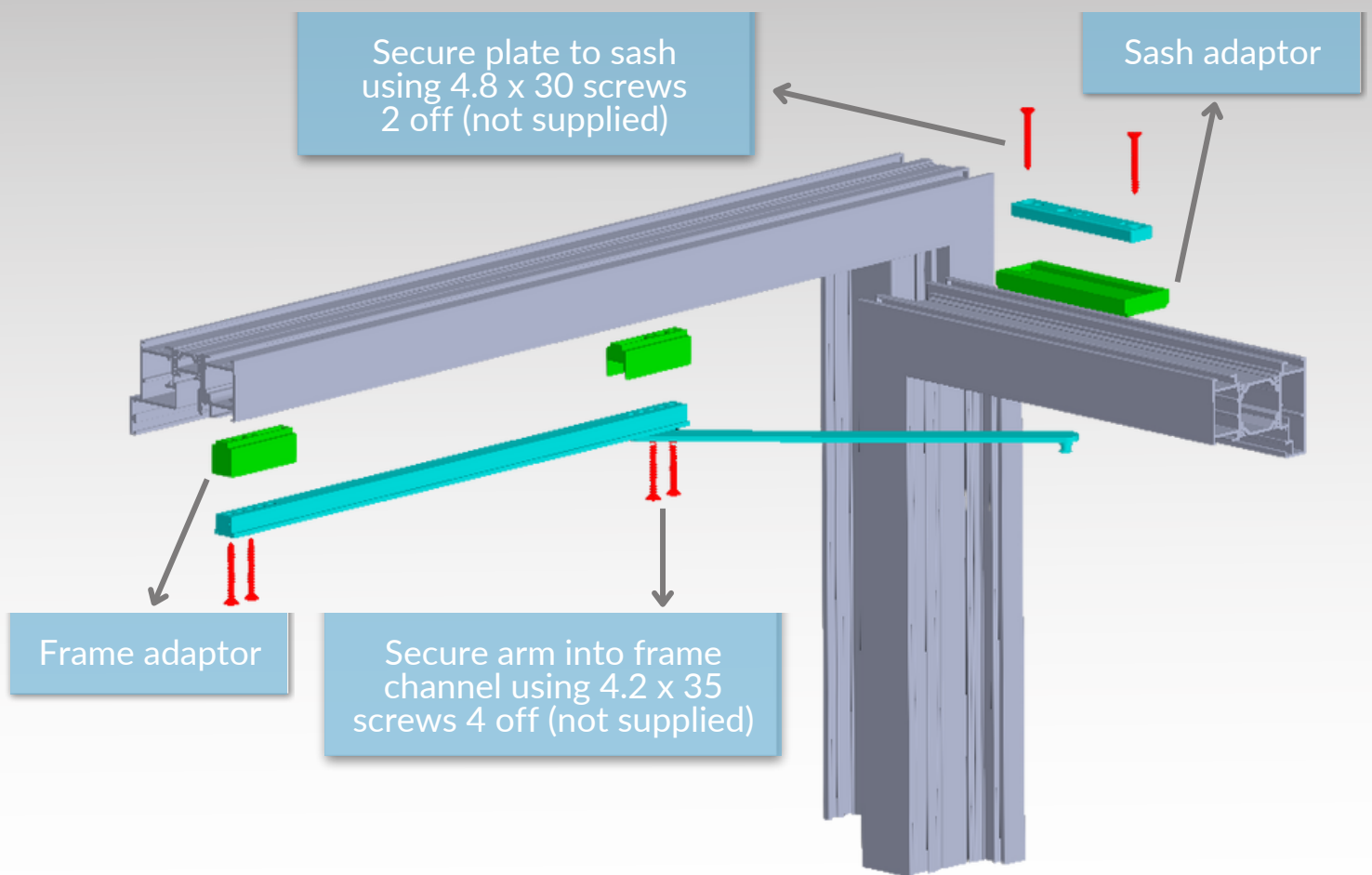
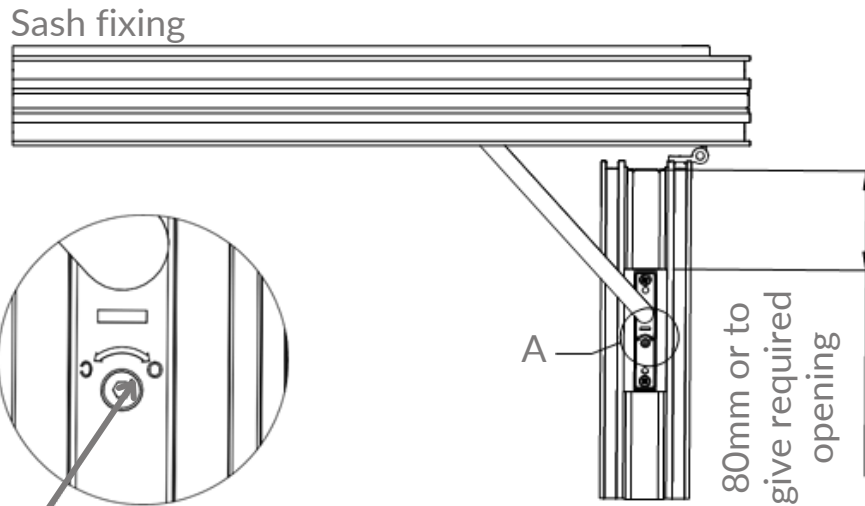


installation guide
**DOOR
RESTRICTOR**

New to the range is our door restrictor, in stock now. This prevents the door from opening more than 90 degrees, if it was to get caught in the wind for example. The arm can also be easily detached to allow full opening of the door.

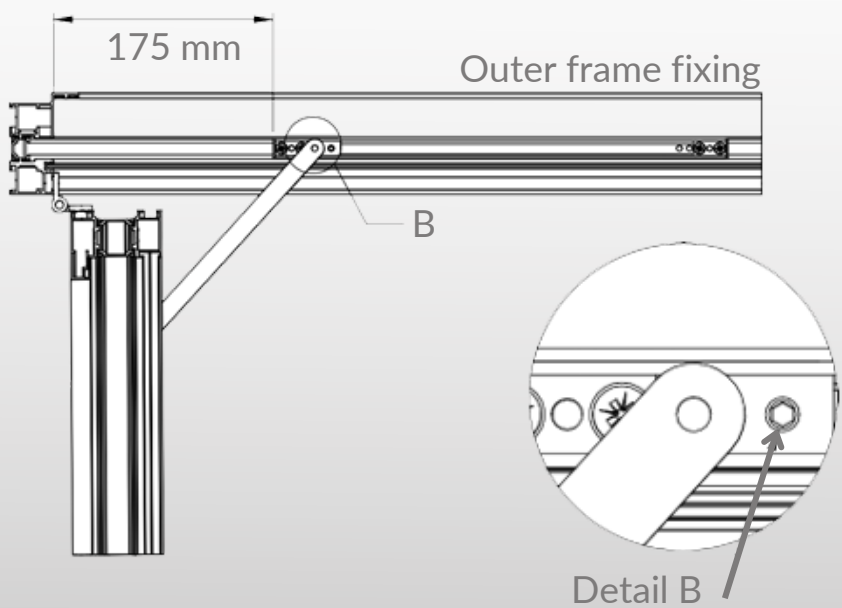
The restrictor is easy to install and can be retrofitted on site. Please see instructions below and overleaf.





Detail A

Use 2.5mm allen key to set tension fully to "O" this will enable easier disengagement of friction arm if needed



Detail B

Adjust friction using 2.5mm allen key do not over-tighten)

Tel 01924 350 110
 Email info@alunetsystems.co.uk
www.alunetsystems.co.uk

04/22 V1. The content of this document, photographic reproduction and technical details remain the sole property of Alunet Systems Ltd., all rights reserved. It cannot be reproduced, in whole or in part, without explicit permission. Terms and conditions of sale apply, a copy of which is available on request.



installation guide
**DOOR
 RESTRICTOR**